

# 1<sup>st</sup> French Demonstrator

October 2013

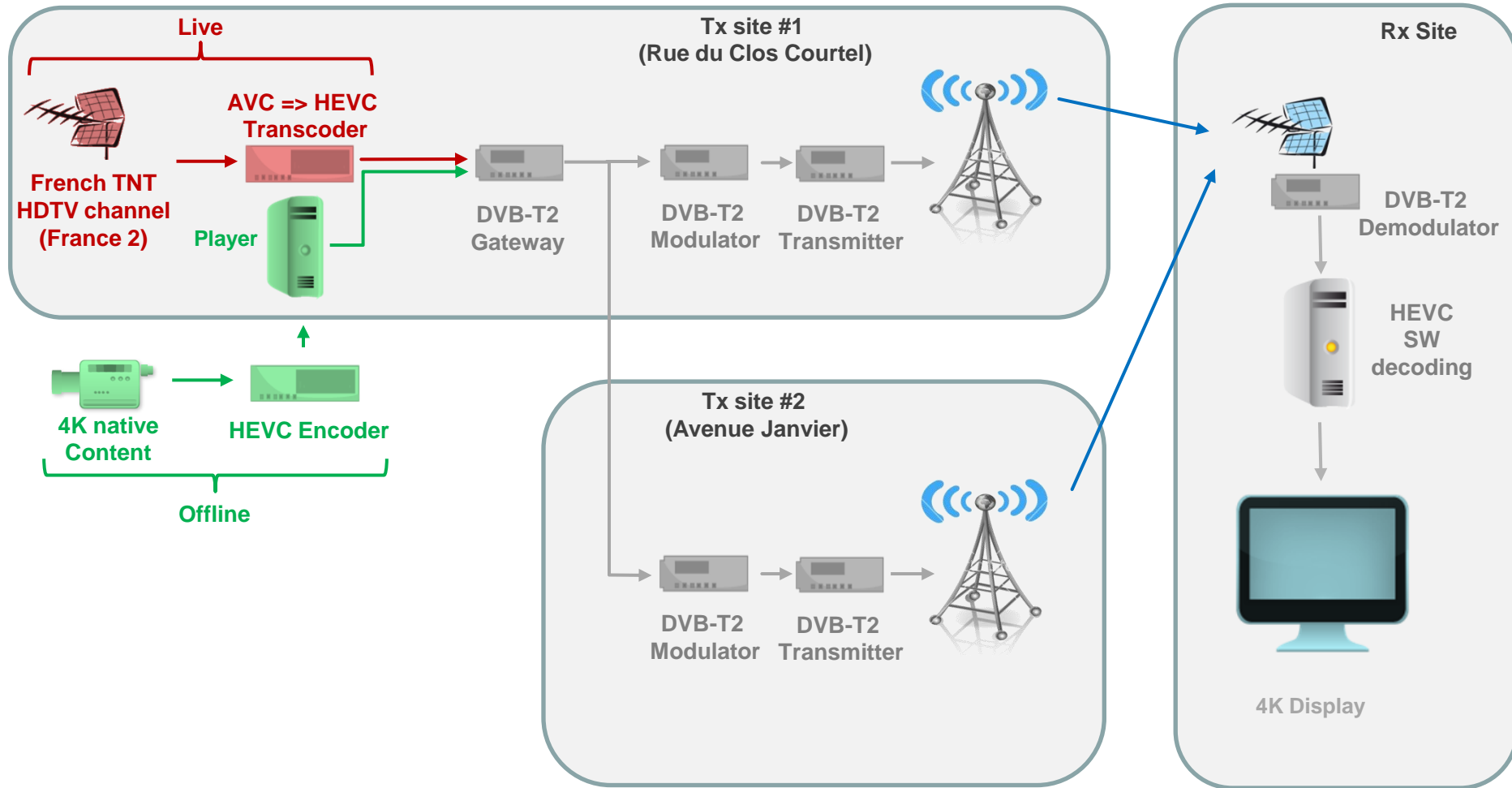
# Demonstrator features

---

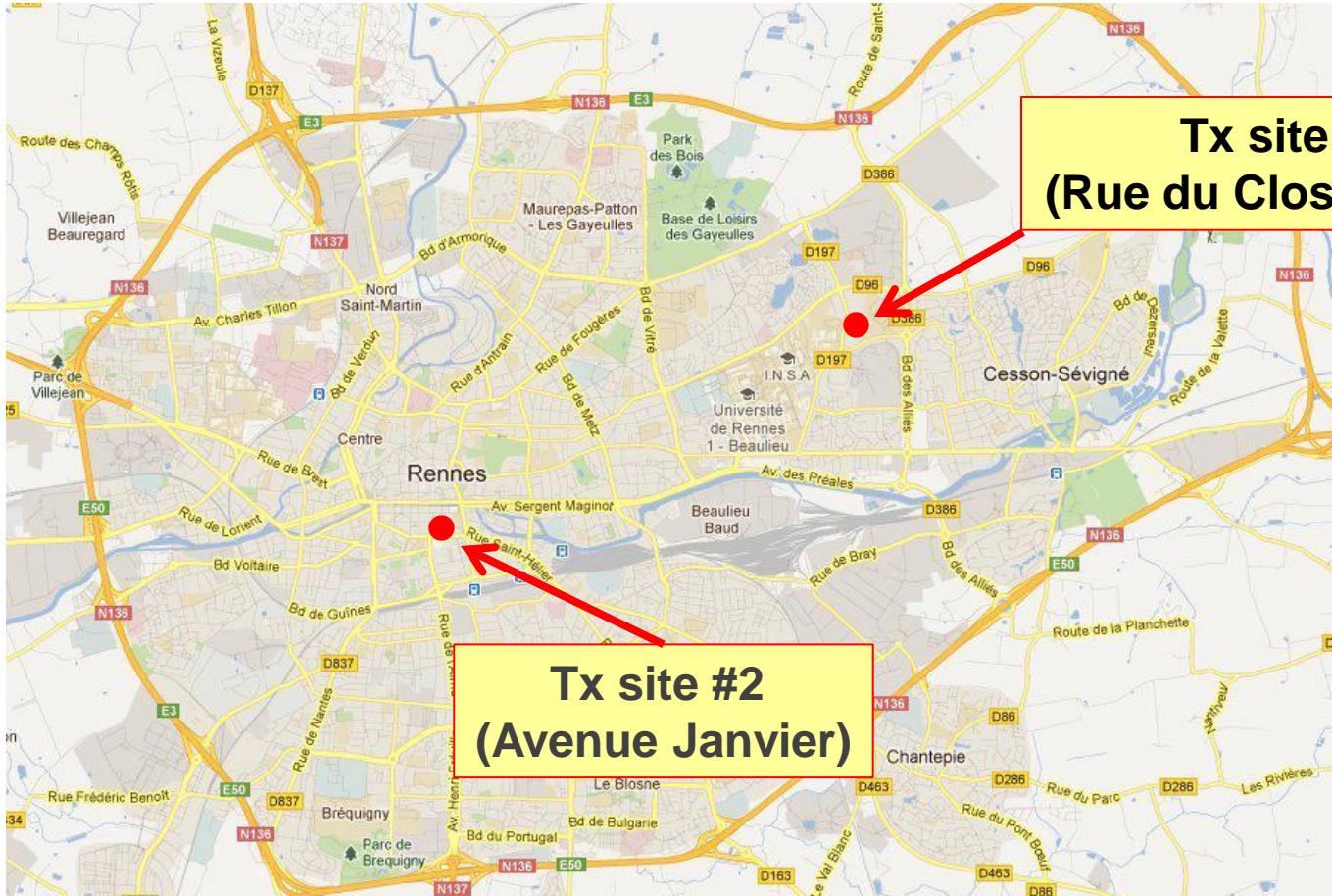
## HDTV & UHD TV HEVC content broadcast over DVB-T2 network

- Simultaneous transmission of HD & UHD HEVC encoded contents
  - HDTV live and UHD TV offline encoding by **Thomson Video Networks** VS7000 encoder
- DVB-T2 transmission over ImaginLab demonstrator (Pôle Images & Réseaux)
- Receiver based on a DVB-T2 professional receiver and a PC with
  - A 4K graphics board
  - HEVC SW decoder delivered by **IETR**
  - GPAC player from **IMT Telecom ParisTech**

# Demonstrator Architecture



# Transmitters sites

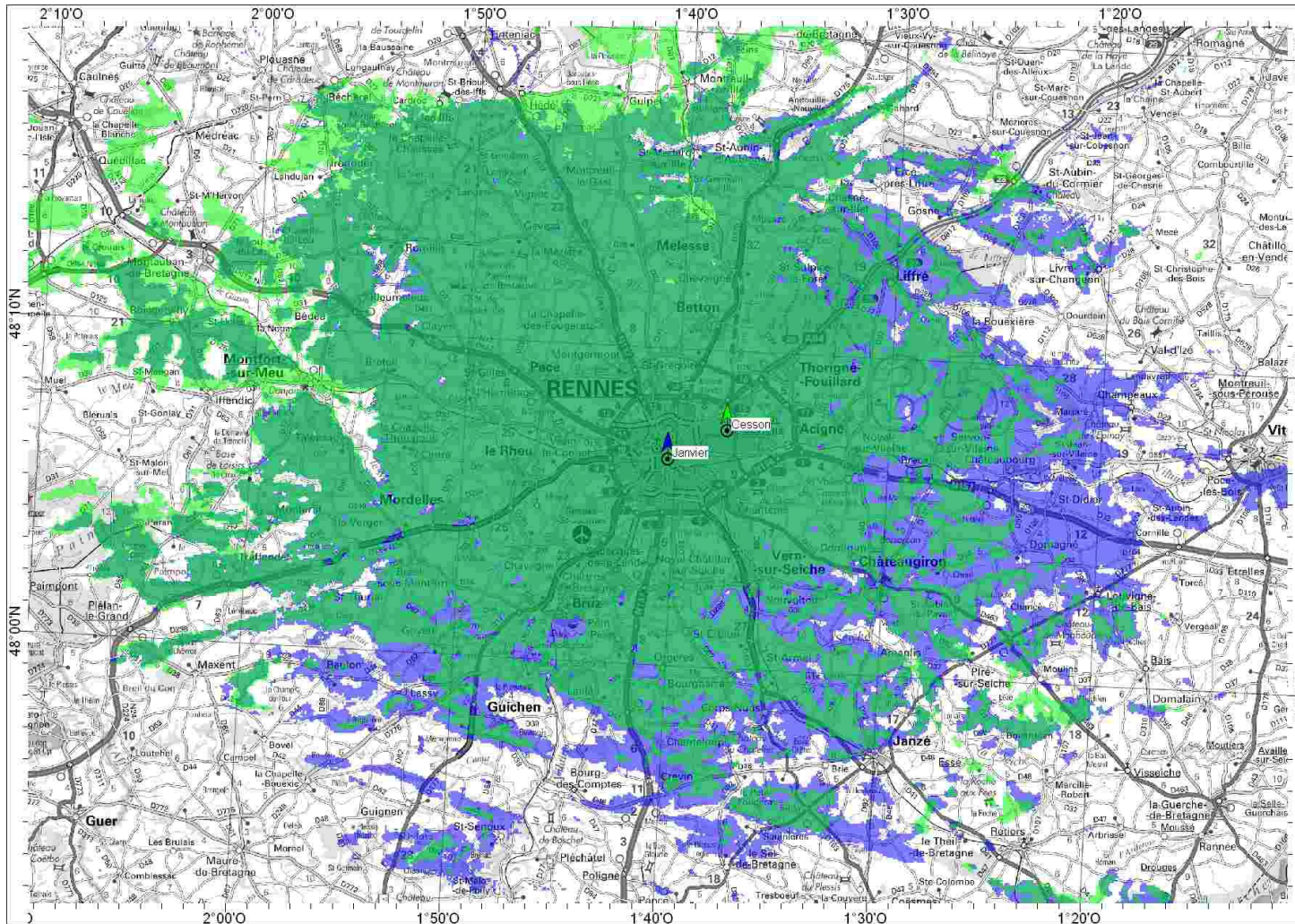





**Tx site #1  
(Rue du Clos Courtel)**

**Tx site #2  
(Avenue Janvier)**



# Coverage



-  Tx1 only coverage
-  Tx2 only coverage
-  Tx1 & Tx2 coverage

# Demonstrator Parameters

- DVB-T2 parameters:
  - Channel 43
  - PLP0
  - 256 QAM
  - FEC: 2/3
- Encoding parameters:
  - Bit depth: 8 bits
  - HEVC Wavefront coding (WPP)
  - 4K
    - File content
    - 2160p/25
    - Bit rate: 12 Mbps
  - HD
    - Live content (France 2)
    - 1080p/25
    - Bit rate: 4 Mbps



# Demonstration

---

The HEVC HD & UHD channels will be available at the occasion of the Pôle Images & Réseaux event  
“Les Trophées – Loading the Future”  
(14/11/2013)

On-demand demonstrations will be possible for French partners a few weeks after this event

This is the 1<sup>st</sup> step of the French hybrid demonstrator

Next steps:

Mid 2014: Broadband demonstrations

Mid 2015: Hybrid demonstrations